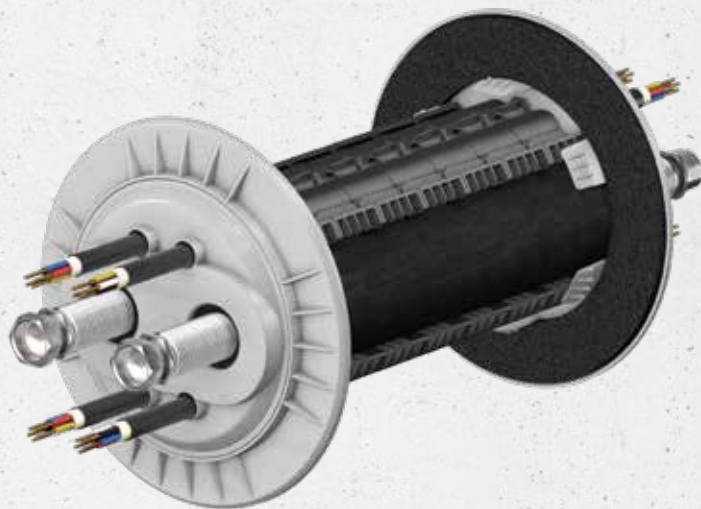


NEW

DOYMAfix® Connect HP/O

 **IP44** | SPLASHING WATER

- Wall duct system for above-ground exterior building walls
- Used in a wide variety of wall structures
- for air-water heat pumps
- with integrated heat insulation
- with ready-to-connect stainless steel corrugated hoses



PRODUCT BENEFITS

- Completely designed ready for connection with stainless steel corrugated hoses DN25 or DN32 incl. insulation
- Can be used in both new and existing buildings
- Secured thermal insulation – compliance with GEG requirements
- Aesthetic wall transition with an attractive surface finish
- Universally usable in all common wall structures
- Segmented construction allows lengths to be individually adapted to structural conditions
- One-person installation
- Installation can be carried out immediately after completion of the wall
- Separate routing of pipes and cables
- Power and control cables routed separately
- Thermal separation prevents thermal bridges
- Contact area for flat attachment of 200% external insulation
- Bird-pecking-proof design
- Low weight makes installation easier
- Quick and easy assembly saves time
- Cross-disciplinary assembly (shell, electrical, HVAC) creates flexibility in the construction process

TECHNICAL DETAILS

- Airtight according to DIN EN 13829
- Splashproof, IP44 according to DIN EN 60529
- Sound insulation according to DIN 4109-2
- Corrosion-free component

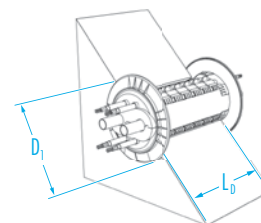
THE WALL DUCT SYSTEM CONSISTS OF:

- Stainless steel corrugated hoses incl. insulation
- Inner and outer sealing
- Variably adjustable sealing elements for the ducts

- Flexible cable sealing
- Push-together connection segments
- Expansion foam for filling cavities

Connecting lines	Line diameters
Stainless steel corrugated hoses	2 lines each DN25 or DN32 (length 800 mm extendable to max. 1,600 mm)
Cables	max. 4 lines 5 to 17 mm each

Dimensions	
Core bore Ø	199–204 mm
Wall thickness, LD	100–500 mm, can be extended as required
Inner and outer seal D_1	300 mm
Centre-to-centre distance of pipe feed-throughs	99 mm



DOYMAfix® Connect HP/O

Produkt	DN	Anschlüsse	Artikelnummer
DOYMAfix® Connect HP/O	25	Überwurfmutter G1" / Außengewinde R1"	5 11 0 025 200 0 0
DOYMAfix® Connect HP/O	32	Überwurfmutter G1 1/4" / Außengewinde R1 1/4"	5 11 0 032 200 0 0

Accessories

Produkt	Artikelnummer	VPE
Zwischensegment (4er Set) bei Wänden > 500 mm	5 99 0 761 004 0 0	1 Stück
Expansionssschaum (500 ml) bei Wänden > 500 mm	5 99 0 762 050 0 0	1 Stück
Kompriband (3,3 m) zur Abdichtung auf unebenen Wandoberflächen	5 99 0 701 330 0 0	1 Rolle
Expansionssschaum (500 ml) bei Wänden > 500 mm	5 99 0 762 050 1 2	12 Stück
Kompriband (3,3 m) zur Abdichtung auf unebenen Wandoberflächen	5 99 0 701 330 1 5	15 Rollen

Intermediate segment
(set of four) for extension
with wall thicknesses >
500 mm, +50 mm per
segment



Expansion foam to restore
thermal insulation for wall
thicknesses > 500 mm



Kompriband for sealing
uneven wall surfaces.
Replaces the outer ring of the
existing flat gasket for uneven
areas > 3 mm

